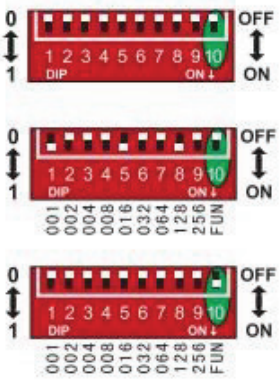


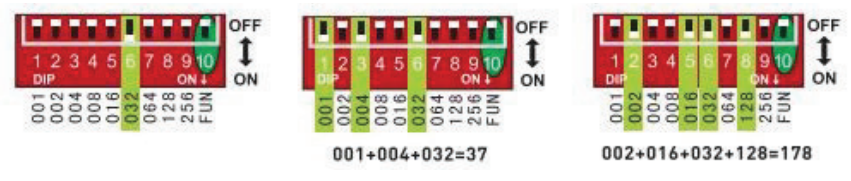


LTECH 4CH CC DMX-PWM Decoder LT-840-350



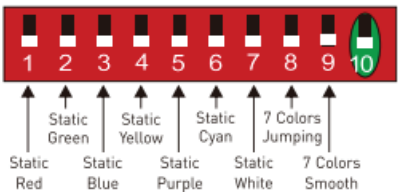
LT-840-350

Input signal	DMX512
Input voltage	DC12V~DC48V
Output voltage	DC3V~DC42V
Output current	350mA CC ×4CH
Output power	1.05W~14.7W ×4CH Max 58.8W
DMX512 socket	XLR-3, RJ45, Green terminal
Dimming range	0~100%
Working temperature	-30°C~65°C
Dimensions	L163×W78×H40mm
Package Size	L180×W82×H50mm
Weight (G.W.)	430g



FUN=ON (the 10th dip switch = ON) Self-testing Mode

Dip Switch	1-9=off	1=on	2=on	3=on	4=on	5=on	6=on	7=on	8=on	9=on
Self-test Function	Static Black	Static Red	Static Green	Static Blue	Static Yellow	Static Purple	Static Cyan	Static White	7 Colors Jumping	7 Colors Smooth



For changing effects (Dip Switch 8/9=on):
DIP switch 1-7 is used to realize 7 speed levels, (7=on, the fastest level)

Each LT-840-350 DMX decoder occupied 4 DMX addresses when connecting the DMX console, e.g., the defaulted initial address is 1, please find their corresponding relationships in the form.

DMX Console	DMX Decoder
CH1 0-255	CH1 PWM 0-100% (LED R)
CH2 0-255	CH2 PWM 0-100% (LED G)
CH3 0-255	CH3 PWM 0-100% (LED B)
CH4 0-255	CH4 PWM 0-100% (LED W/Y)